

**Actual Size:** 32" x 60" x 40" • (81cm x 152cm x 102cm)

**Shipping Size:** 34" x 62" x 50" • (86cm x 157cm x 127cm)

**Net Weight:** 251lbs • (113kg)

**Shipping Weight:** 300lbs • (136kg)

**Seat Width:** 23" & 24.5" • (58cm & 62cm)

**Unoccupied Water Capacity:** 100gal • (379L)

**Occupied Water Capacity:** 65-85gal • (246 - 322L)

## Features

1. Acrylic shell gloss white finish fiberglass gelcoat reinforced
2. Stainless steel frame with adjustable leveling legs
3. Plastic composite and tempered glass outward swing door with 3 latch gear & shaft mechanism
4. Removable front apron with two access panels
5. One reversible end panel
6. Stainless steel chrome finish wall-mounted grab bar
7. Two 2" 4-port PVC drains with 2 end caps included, 2 overflows, 2 stainless steel operated openers with extended handles in chrome finish

## Jetting & Therapy System

### Hydro Massage for Seat Jets:

- Hydro Massage Pump 7A 1000W
- Intensity Dial Air Control
- 14 Upper Seat Jets (7 on each seat)
- Controlled by Digital Controller

### Hydro Massage for Foot & Calf Jets:

- Hydro Massage Pump 7A 1000W
- Intensity Dial Air Control
- 4 Foot and 2 Calf Jets
- On/Off Push Control
- In-Line Water Heater - 5.5A 650W
- Ozone Sterilization - 0.04A

### Air Massage:

- Air Massage Pump 4.5A 500W
- 3 Speed Pump
- Auto-Purge (activates 20 minutes after pump is turned off)
- 10 Seat Jets (5 on each seat) 4 Foot Jets
- Controlled by Digital Controller



### LED Chromotherapy Light

- Multicolor LED Light Bulb 0.5A
- Transformer
- Controlled by Digital Control Pad

### Two-Piece Fast Fill Faucet (2)

- Up to 10 16GPM @ 60PSI an ideal in-home plumbing conditions
- Two 5' water supply lines with 3/4" connectors
- Pull out, hand held, chrome plated hand shower with a 5' ft. retractable stainless steel braided hose

## Optional Features

### MicroBubble Therapy System

- 1 HP Pump 7.3A 875W
- Pressure Vessel
- On/Off Push Control
- Agitator Valve

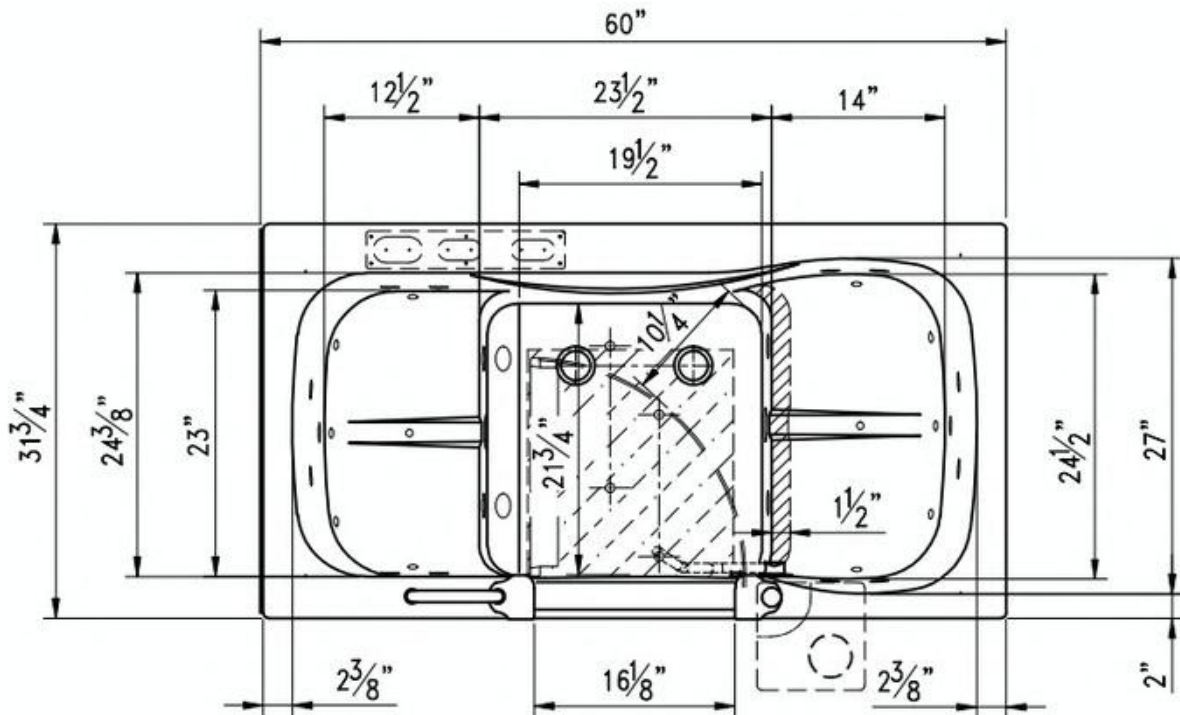
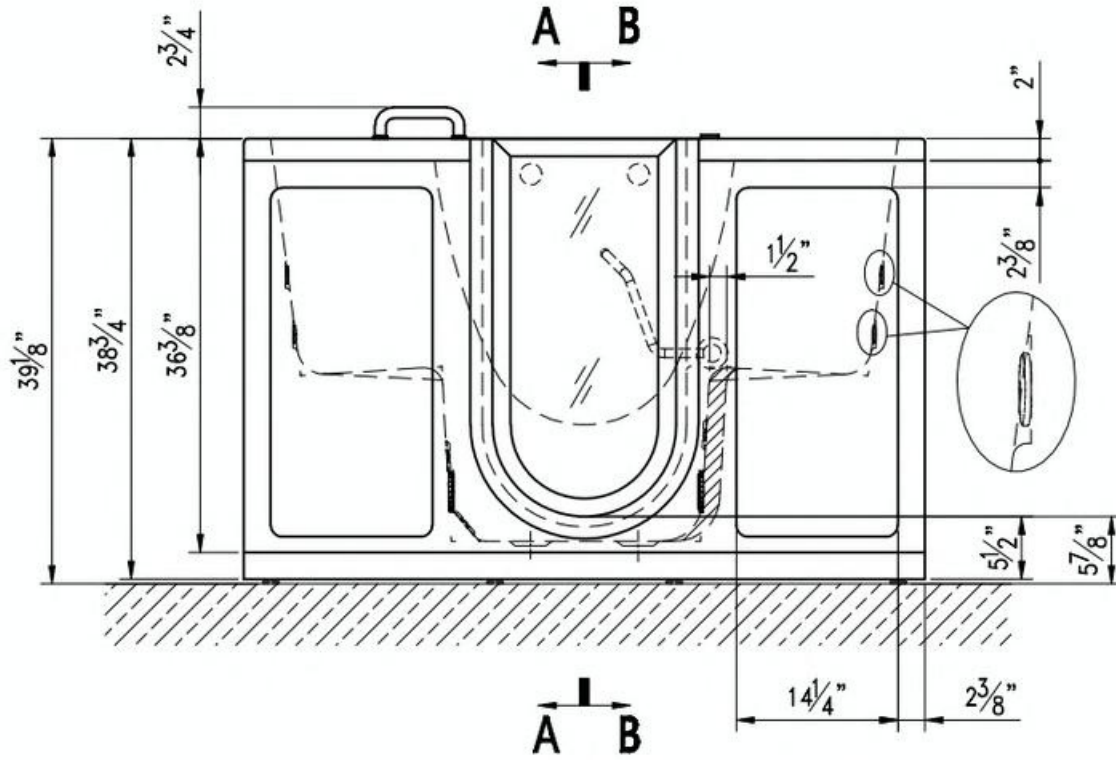
### Heated Seat and Backrest

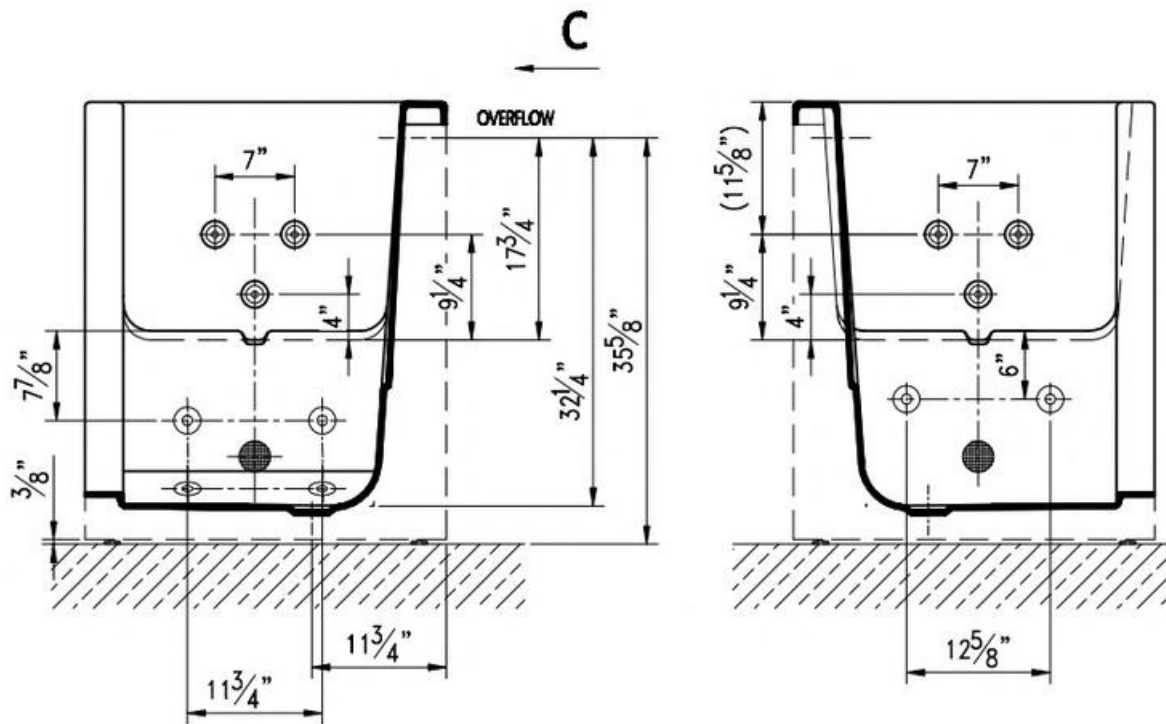
## Warranty

- Lifetime limited\* warranty on shell, frame, door, and parts to original purchaser/address
- Labor or installation is not covered - please refer to the Ella warranty certificate

## Electrical Requirements

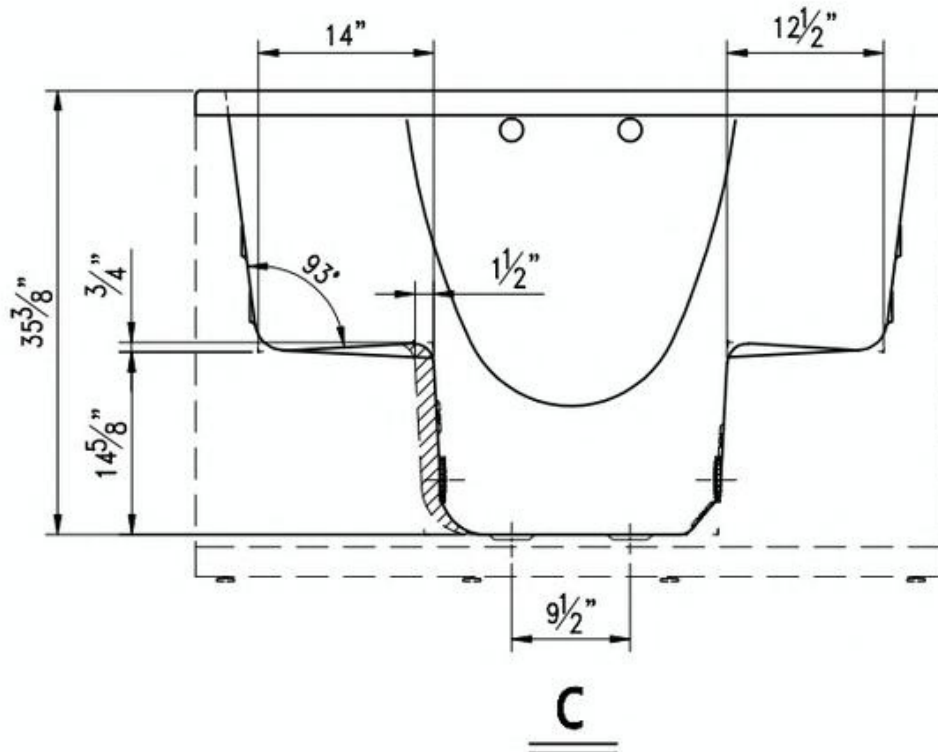
Dedicated GFCI protected electrical line(s) required  
115V 60Hz equipment





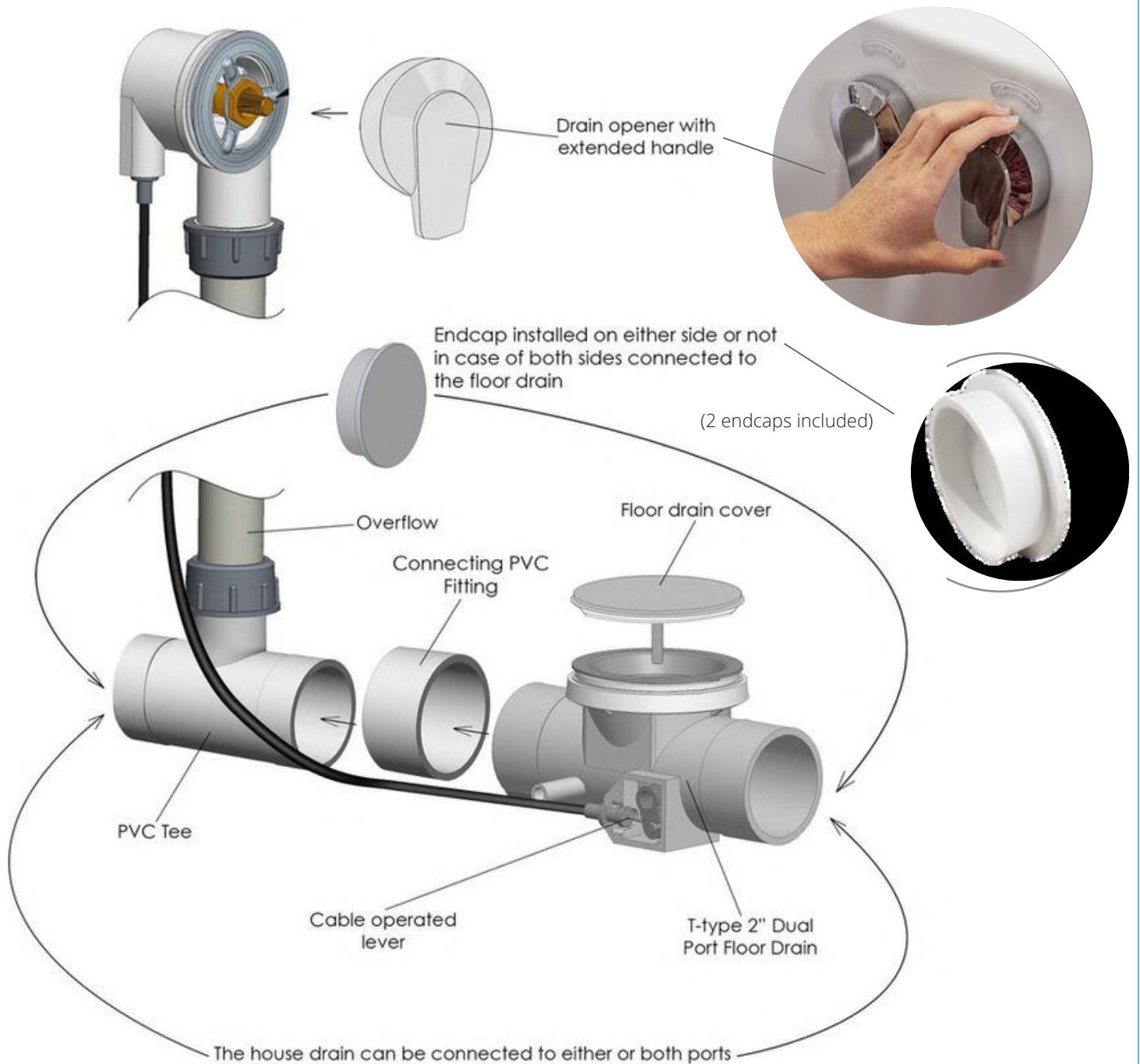
**A-A**

**B-B**



**C**

## Dual Drain Technology - Two 2 Inch Independent Floor Drains



Two 3/4" connector water supply lines included with Ella Fast Fill Faucets



Connect to Shut Off Valves (not included)



All electrical fixtures connect to a dedicated GFCI protected outlet.



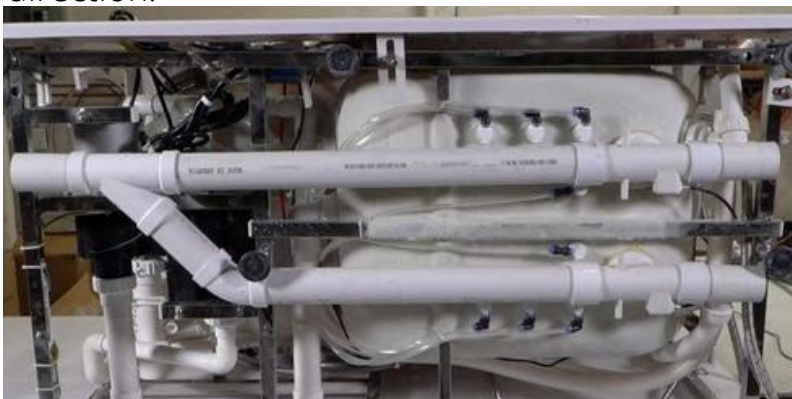
Drain Cap

Use a drain cap to close unused drain port.



T-Type four (4) 2" drain ports allow for the drain pipe to be installed in either direction.

Images below show examples of PVC pipe connections (not included). Reducers can be used to connect smaller drain pipes.



**Description**

Solid brass spout chrome finish single lever high flow bathtub faucet with diverter button Two (2) 3/4" 5' braided stainless-steel supply lines Pull out hand shower mixer with 5 settings and 5' braided hose in a Chrome or Brushed Nickel finish.

**Flow**

- Hand shower is limited to 1.9 GPM (7.5L/min)
- Faucet fill rate designed for 16 GPM (68.1L/min)

**Cartridge**

- 40mm high flow cartridge design
- Nonmetallic/nonferrous and stainless-steel material

**Standards**

- Third party certified to meet: CSA B125.1, ASMEA112.18.1, ICC117.1 and all applicable requirements referenced therein
- Certified to ANSI/NSF 61/9
- ADA for lever/handle
- IAPMO R&T UPC certified

NOTE: This faucet is designed to be installed through: 2-1/2" diameter hole for faucet, 1/3" diameter hole for mounting rods, and a 7/8" diagonal hole for the hand shower.

Hot and Cold ON/OFF Lever

Brushed Nickel Finish

Spout

Chrome Finish

